



AT-AM6-5766VG-23

Active Multiplier x6, 57-66GHz Pout=+23dBm

x6 V Band Active Multiplier

2022-3-13

57-66GHz, Pout=+23dBm, 1.85mm Female

Product Overview



AT-AM6-5766VG-23 is a V band, active x6 frequency multiplier. The multiplier has an input frequency of 9.5-11 GHz with a typical output +23dBm from 57-66GHz.

The integrated input and output buffers deliver high output power at a low drive level. The multiplier also has a typical harmonic suppression of -20dBc. The input port is SMA female, and the output is a 1.85mm Female.

Other port configurations are available under different requirement. More information, please visit www.atmicrowave.com

Advantages

- ✓ Frequency: 57-66GHz
- ✓ Pout: +23dBm typical
- ✓ Input: 9.5-11GHz, +5dBm
- ✓ Single Power Supply

Application

- ✓ V band Communication
- ✓ Test Equipment
- ✓ ROF (RF Over Fiber)
- ✓ Radar System

Key Features

| Parameter | Min | Typical | Max |
|----------------------|--------|---------|-------|
| Input Frequency | 9.5GHz | | 11GHz |
| Input Power | 0 | +5dBm | +10 |
| Multiplier Factor | | X6 | |
| Output Frequency | 57GHz | | 66GHz |
| Output Power | | +23dBm | |
| Harmonic Suppression | | -25dBc | |
| Drain Voltage | | +5V | +8V |
| Current | | 800mA | |
| Spec Temp | | 25C | |





AT-AM6-5766VG-23

Active Multiplier x6, 57-66GHz Pout=+23dBm

Mechanical Information

| Item | Description |
|---------------------------|---------------|
| Input Port | SMA Female |
| Output Port | 1.85mm Female |
| Case Material | Copper |
| Finish | Gold Plated |
| Weight (Without Heatsink) | 190g |
| Size: | See outline |

Absolute Maximum Ratings Table

| Parameter | Value |
|-----------------------|--------------|
| Drain Supply | +9V |
| RF Input Power | +15dBm |
| Operating Temperature | 0 to +50C |
| Storage Temperature | -65 to +150C |

Notes:

1. Datasheet may be changed according to update of MMIC, Raw materials , process, and so on.
2. This data is only for reference, not for guaranteed specifications.
3. Please contact AT Microwave team to make sure you have the most current data.

Part Number Selection Guide

| Item | Description |
|----------------|---|
| PN | Stand Module with DC Power Supply |
| PN-LCBI | L ow Cost, C ompact B ench- T op, +220V Supply with AC/DC Adapter |

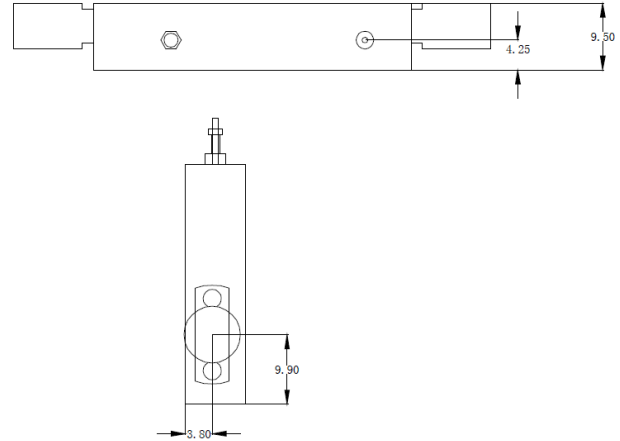
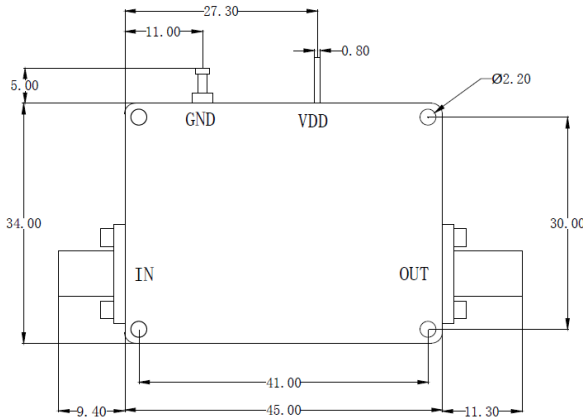




AT-AM6-5766VG-23

Active Multiplier x6, 57-66GHz Pout=+23dBm

Dimension: (mm)



| | <26.5GHz | <40GHz | <50GHz | <67GHz |
|------------|----------|--------|--------|--------|
| Connector | SMA | 2.92mm | 2.4mm | 1.85mm |
| Lenth of a | 9.4mm | 9.5mm | 10.8mm | 11.3mm |

Note: Female Default. Contact with us for other types.

Heat Sink Required If Case Temp Higher Than 50C

